

Rustic Stool

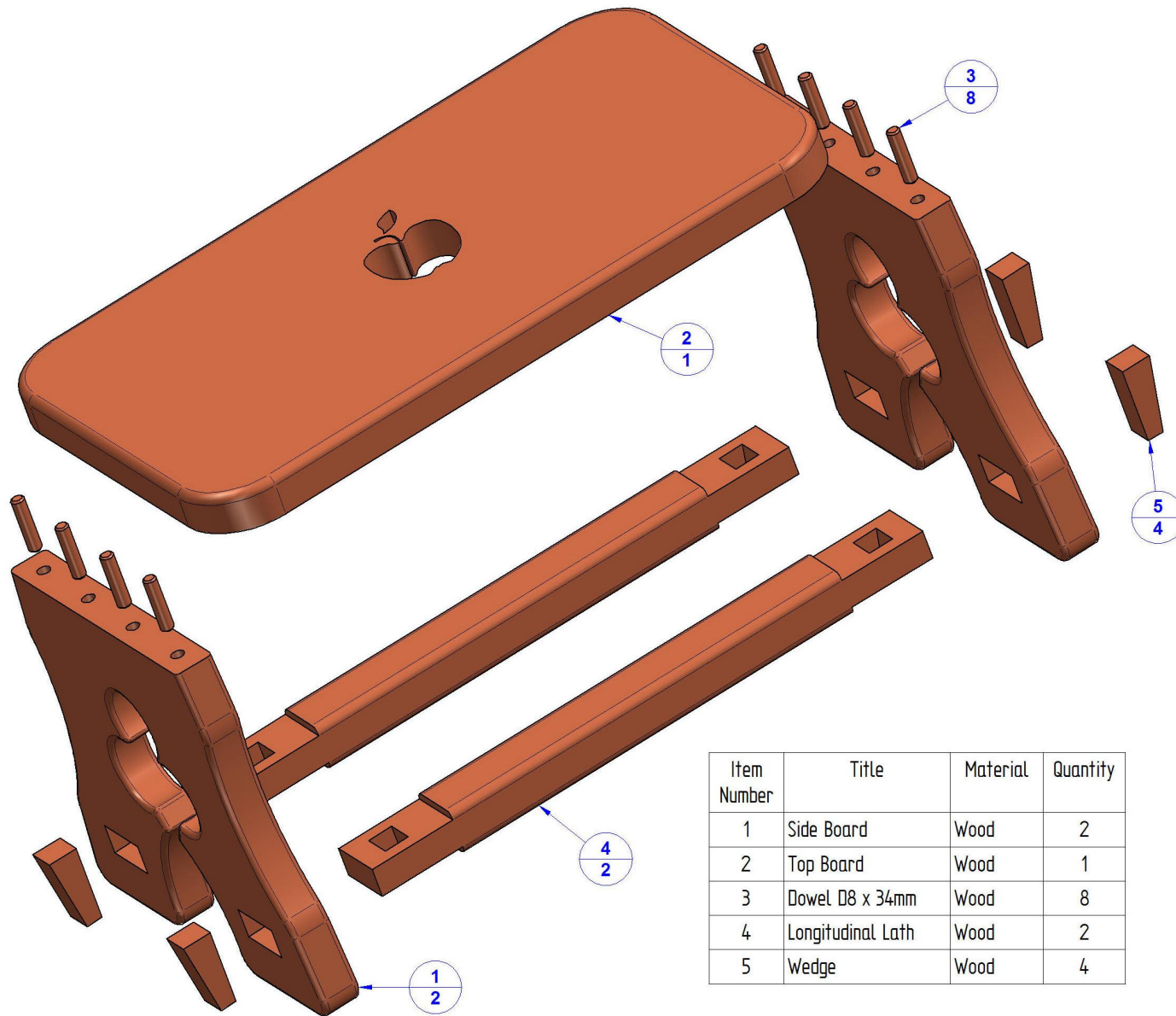


As the object with many aspects of use, the stool has played the important role in everyday life since long time ago. Made up in various shapes and having symbolic, ceremonial and practical meaning, in the past times these seats were also significant ritual objects, used by chiefs, shamans and members of various tribes for centuries. With a suitable small size, stools were precious personal things, especially for people living in moving villages and for migrant nations, providing them refreshing moments of rest and preserving the memories of their motherlands. Nowadays, the stool remains to be a favorite widget, whether it serves as a seating for craftsmen, farmers and artists, or it's being popular among the children and adults as both practical and decorative part of furniture.

You can use many kinds of wood for making this Stool, but we recommend you to purchase some wood with nice texture like Ash, Beech, Cedar, Birch, Walnut, Maple, Oak, Pine, etc. If you are planning to paint the Stool, the texture of a selected wood is not important.

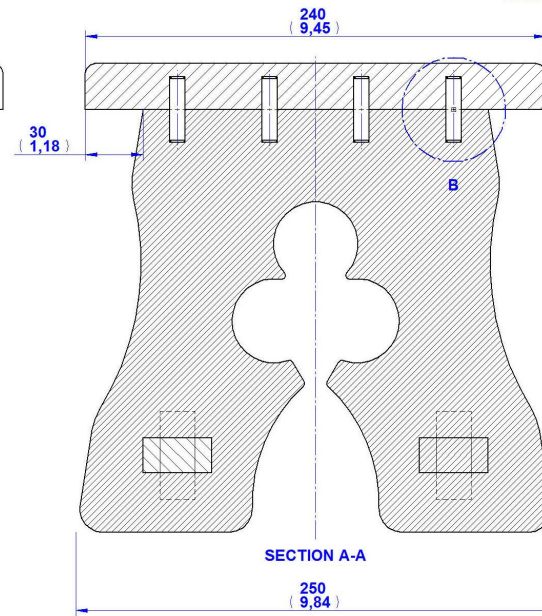
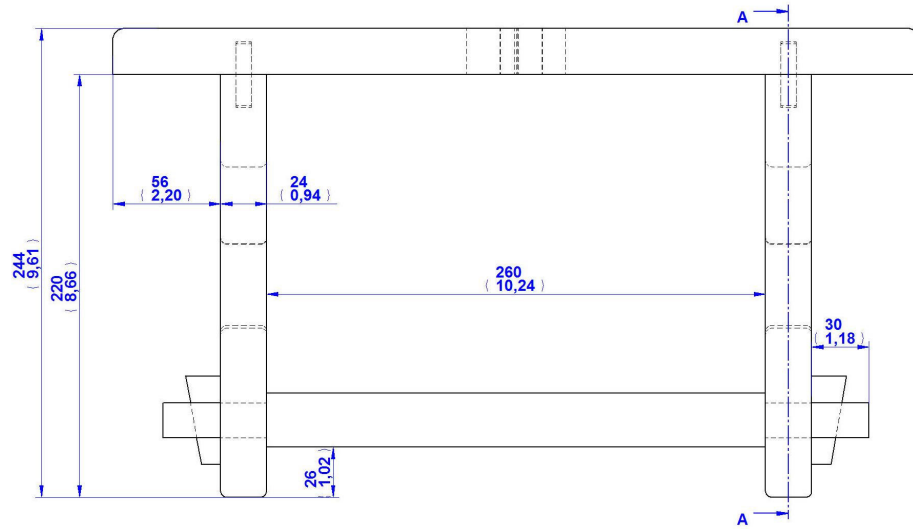
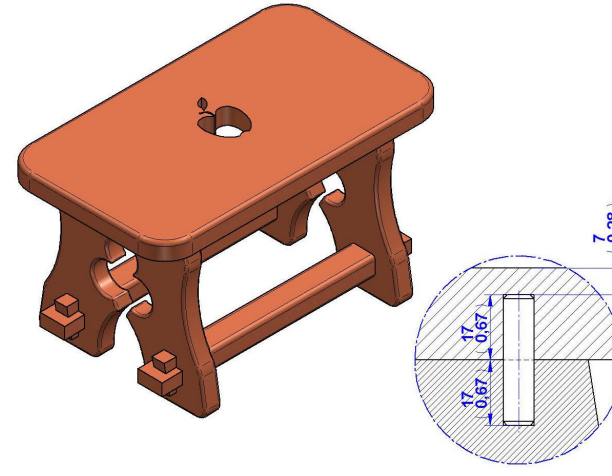
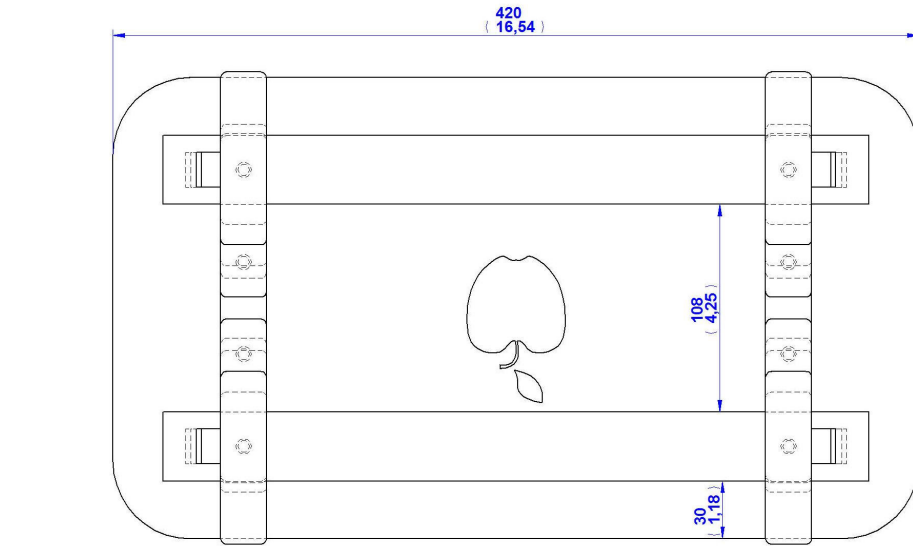
Make all the items precisely by the measurements given on particular 2D drawings. The measurements are given in millimeters, and the measurements in inches are given in brackets (1 inch = 25, 4 mm).

Parts List

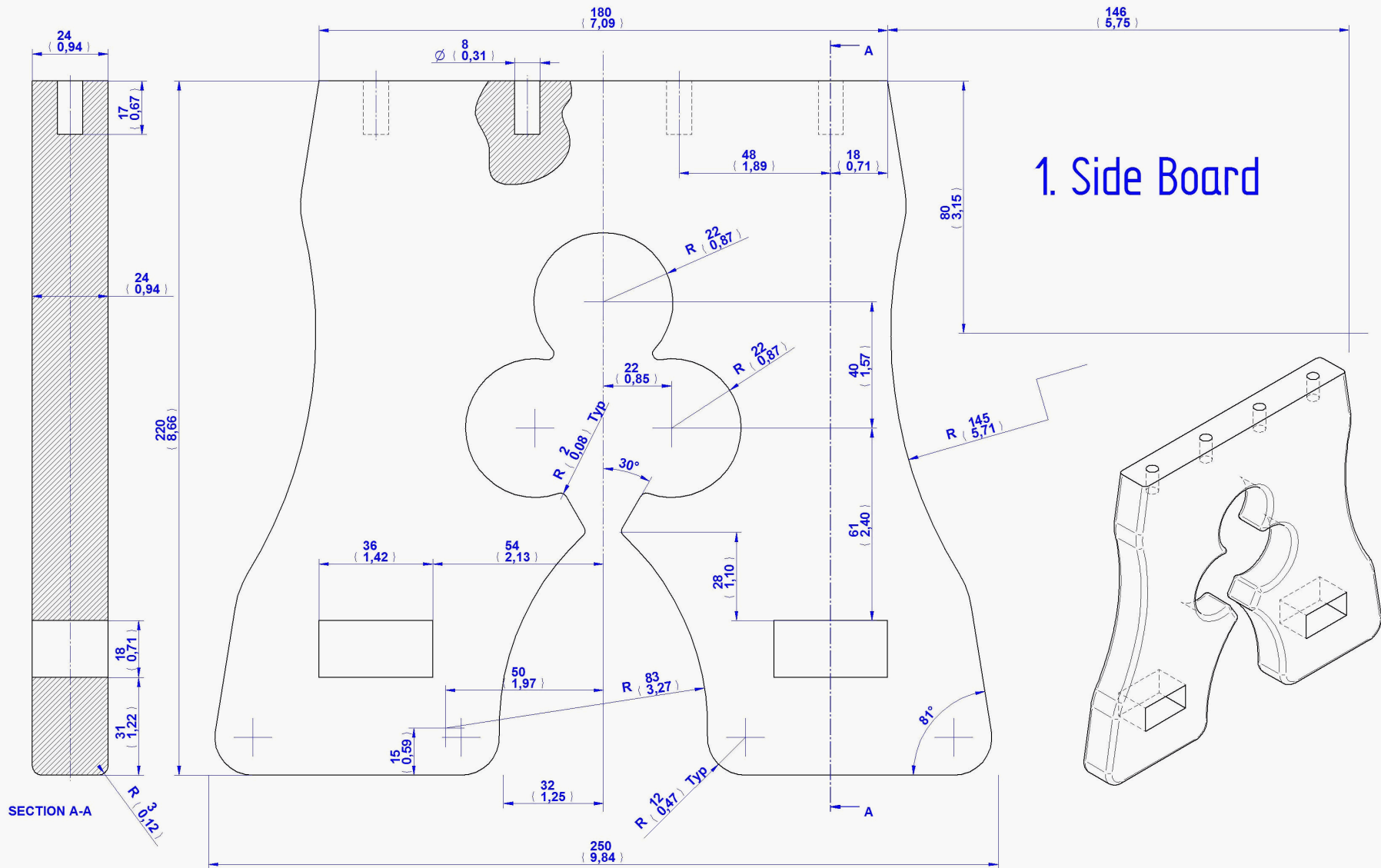


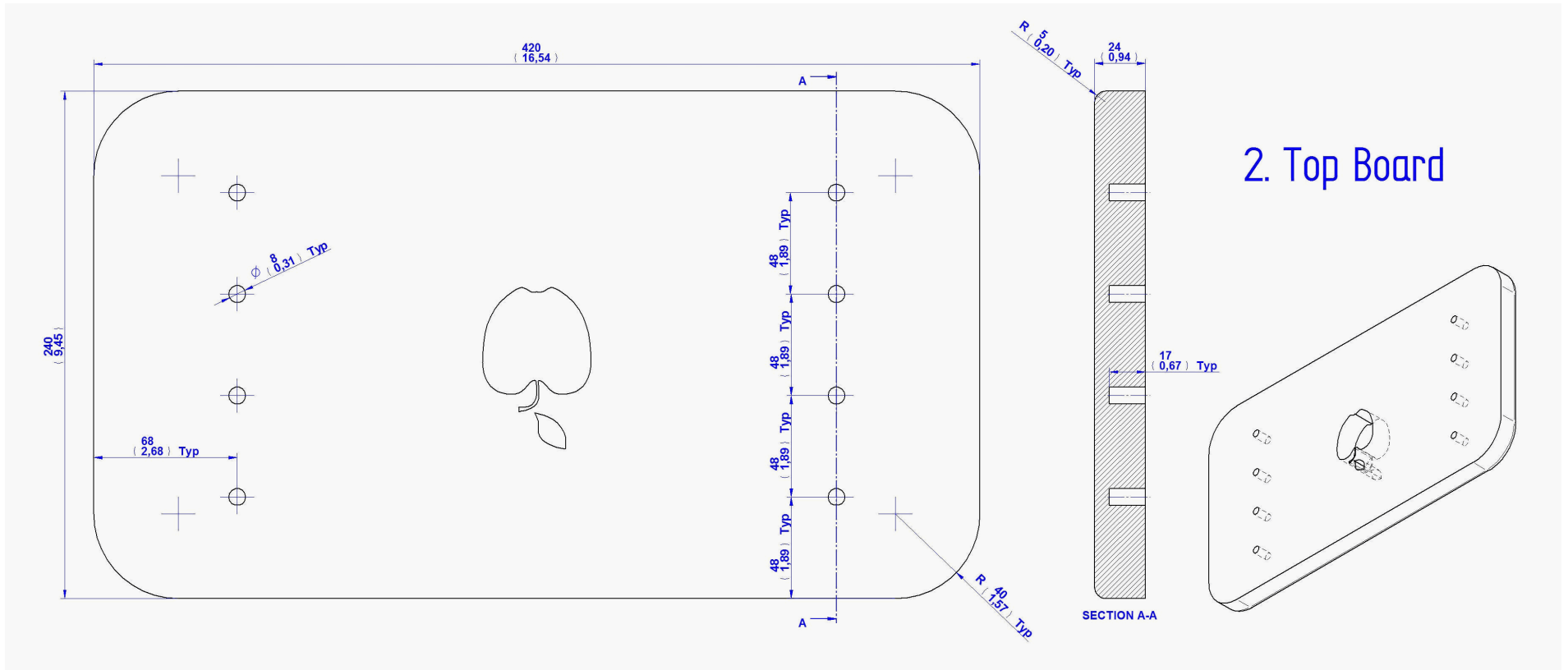
Item Number	Title	Material	Quantity
1	Side Board	Wood	2
2	Top Board	Wood	1
3	Dowel D8 x 34mm	Wood	8
4	Longitudinal Lath	Wood	2
5	Wedge	Wood	4

Assembly Drawing

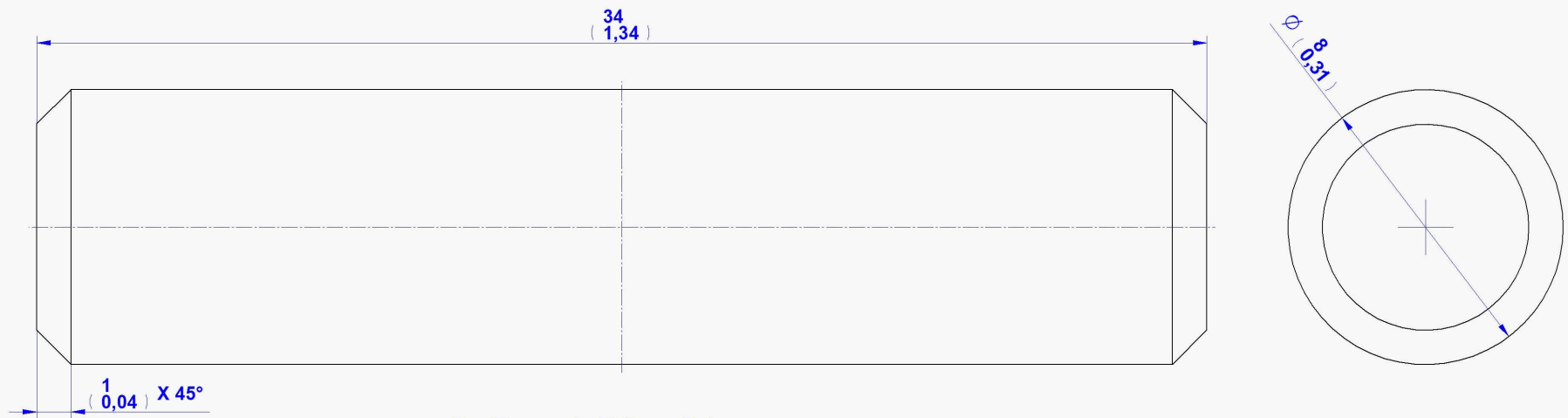


1. Side Board

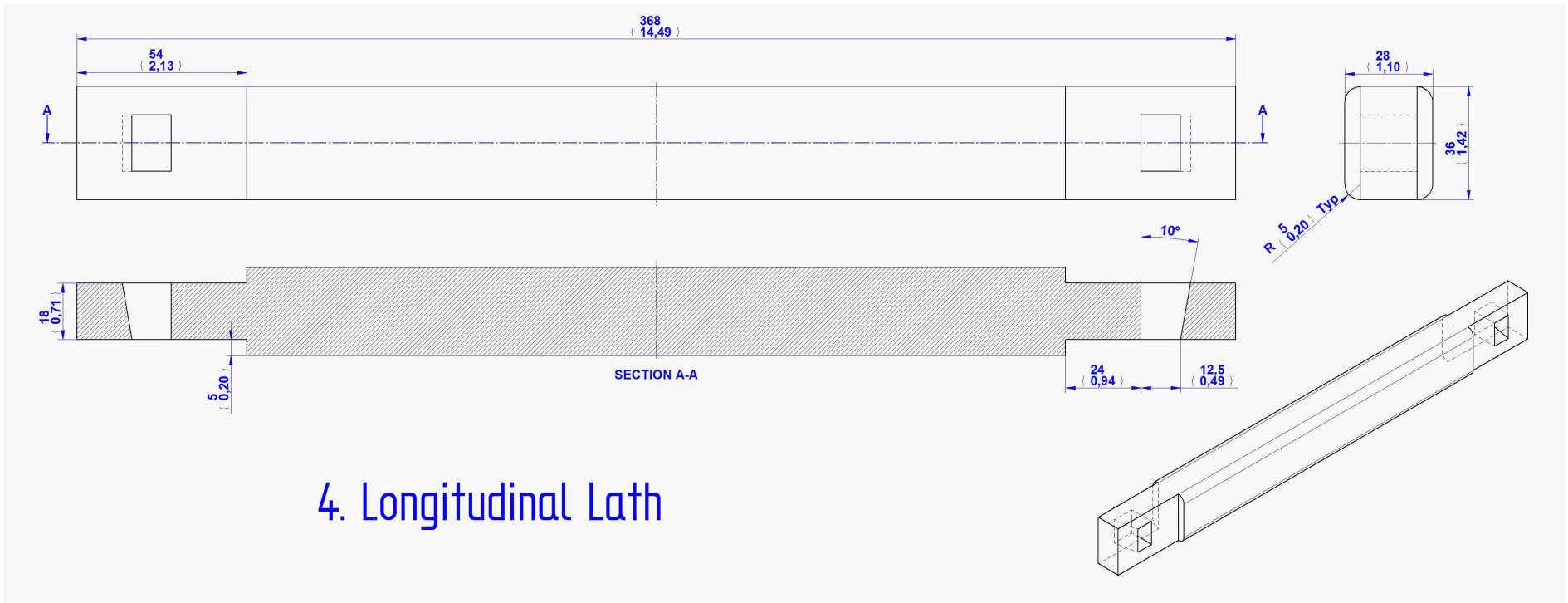




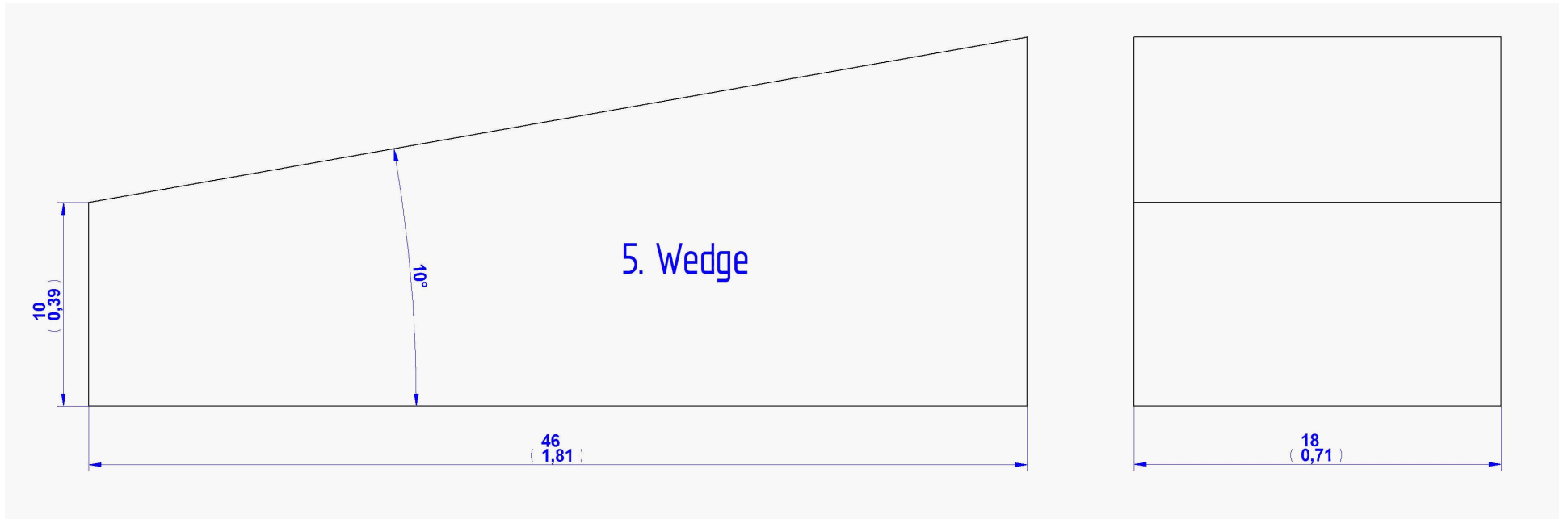
2. Top Board



3. Dowel D8 x 34mm

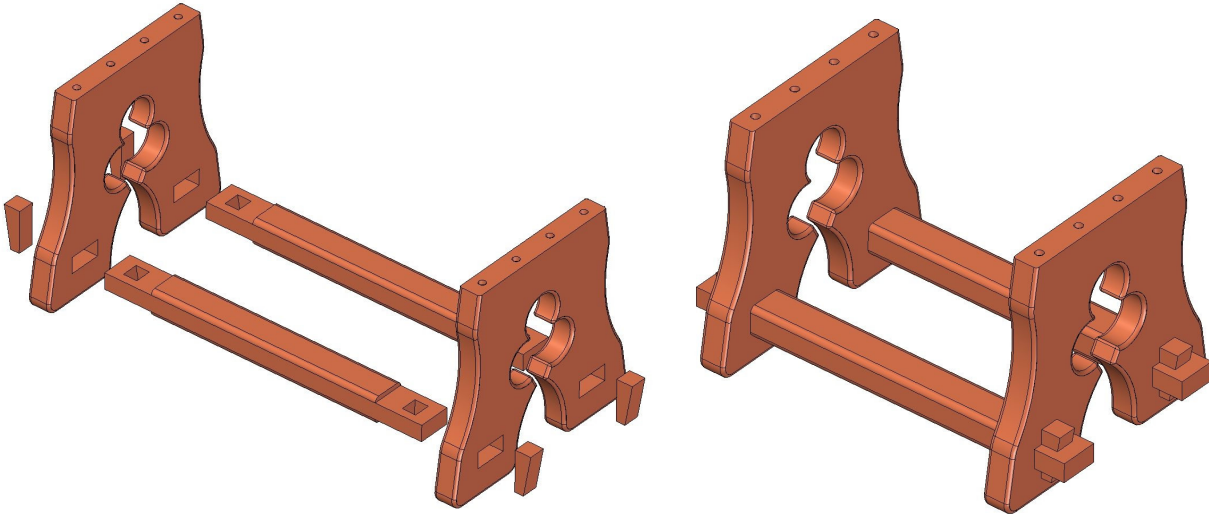


4. Longitudinal Lath

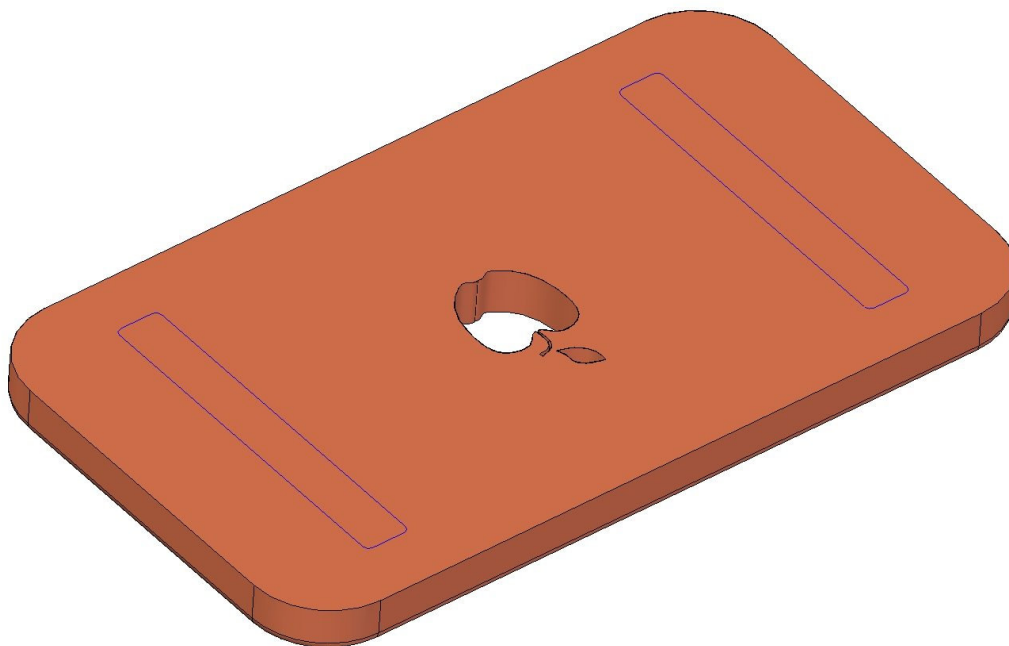


Assemblage Instructions

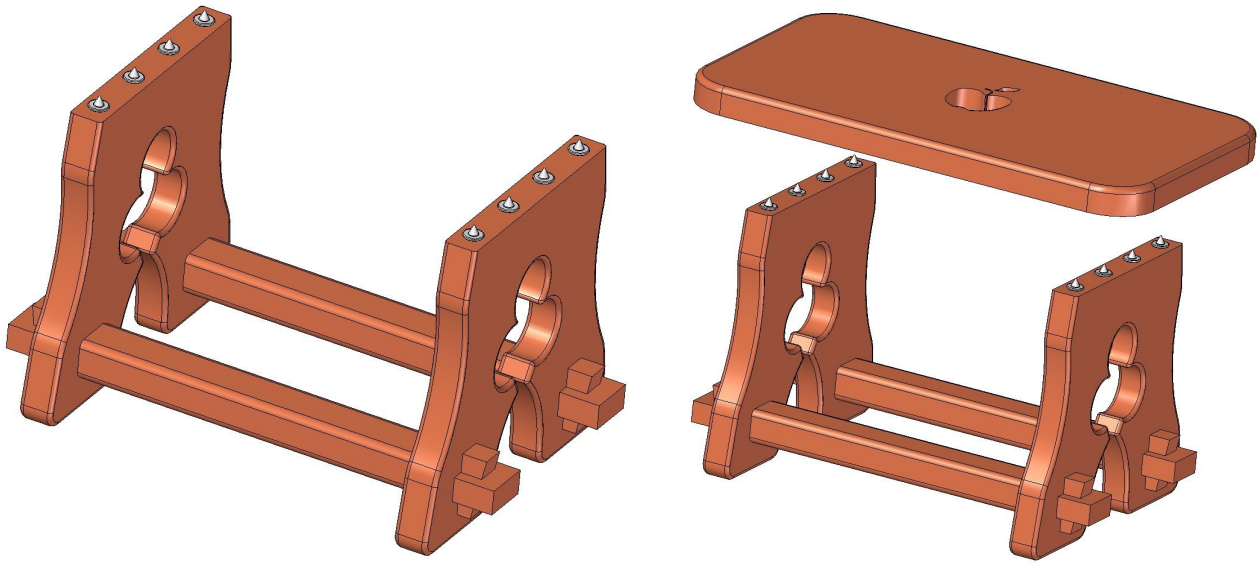
1. Join the Side Boards (items 1) with the Longitudinal Laths (items 4) using the Wedges (item 5). You can put small amount of glue on the Wedges before this operation. Wait until glue is dry before you continue with assemblage.



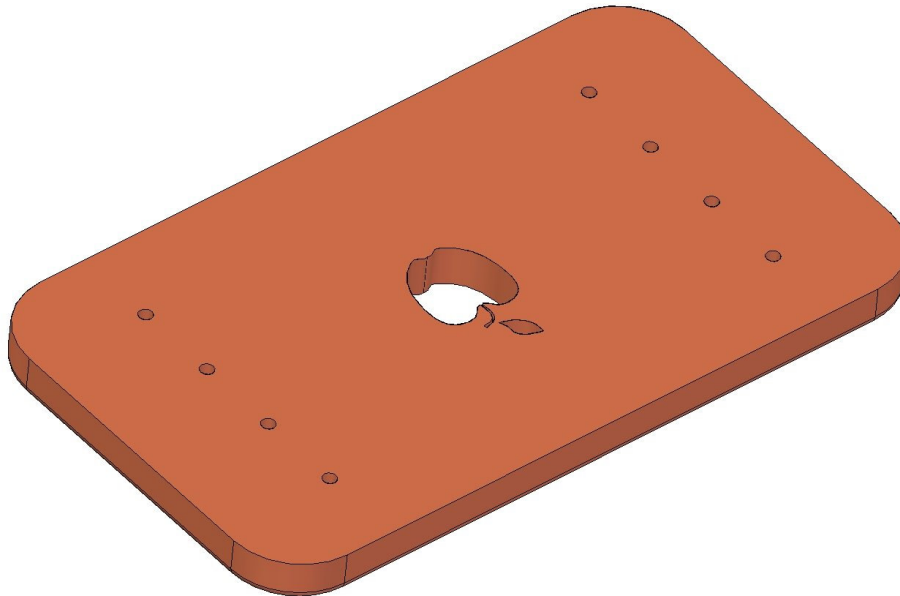
2. Lightly mark the outlines of the Side Boards (items 1) with pencil on the lower side of the Top Board (item 2).



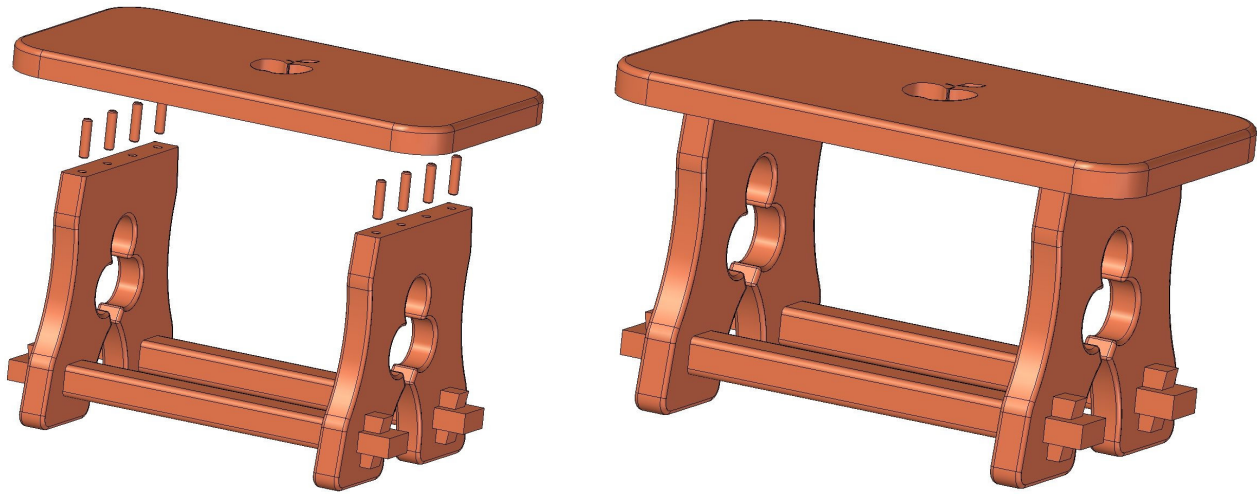
- Put the Dowel Centers into the holes on the Side Boards (item 1) and then mark the spots for the holes on the Top Board (item 2).



Drill the holes on spots on the Top Board (item 2) that you marked in the previous step.



- Join the Top Board (item 2) with the subassembly made in step 1 with glue using Dowels D8x34mm (items 3) and wait until glue is dry.



If you like to paint, you can cover this stool in some vivid color and draw some flowers, animals or other motives on its surface. Be creativ, free your imagination, and as a result, you will have an original artifact in your home.